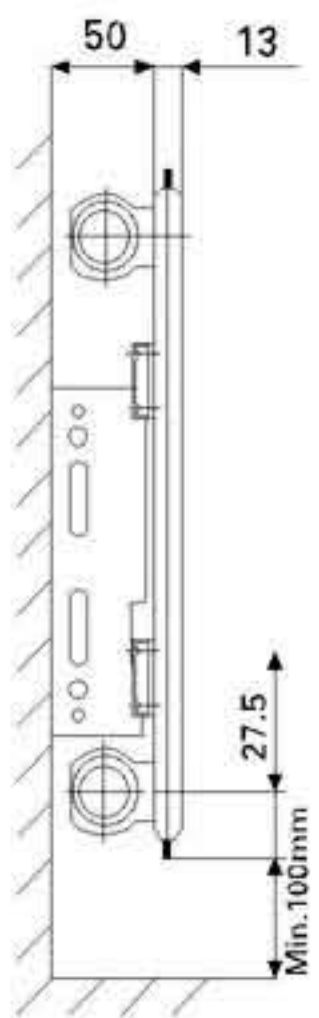
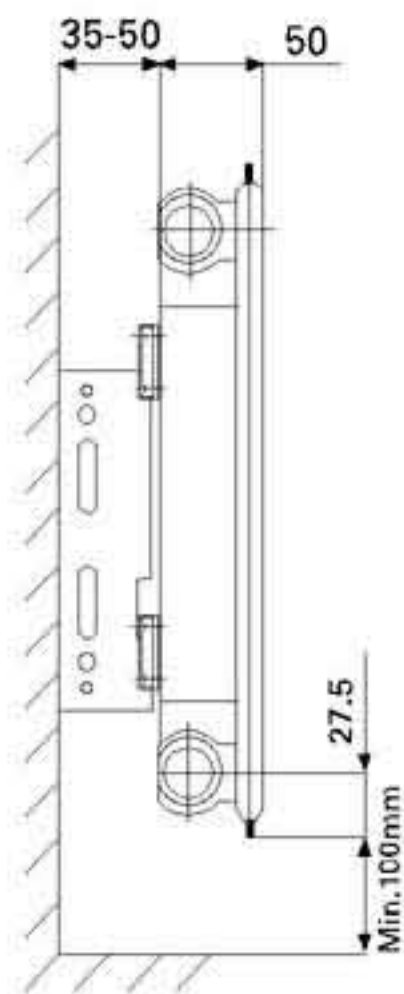


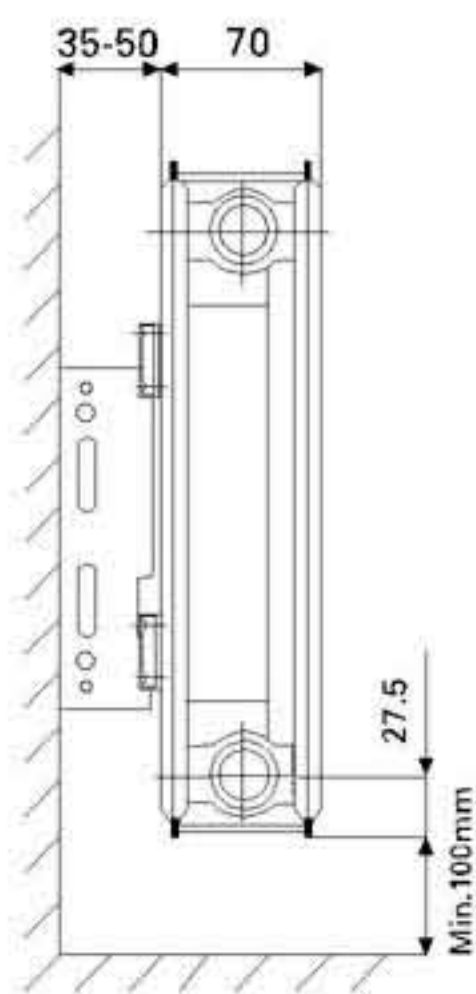
型号



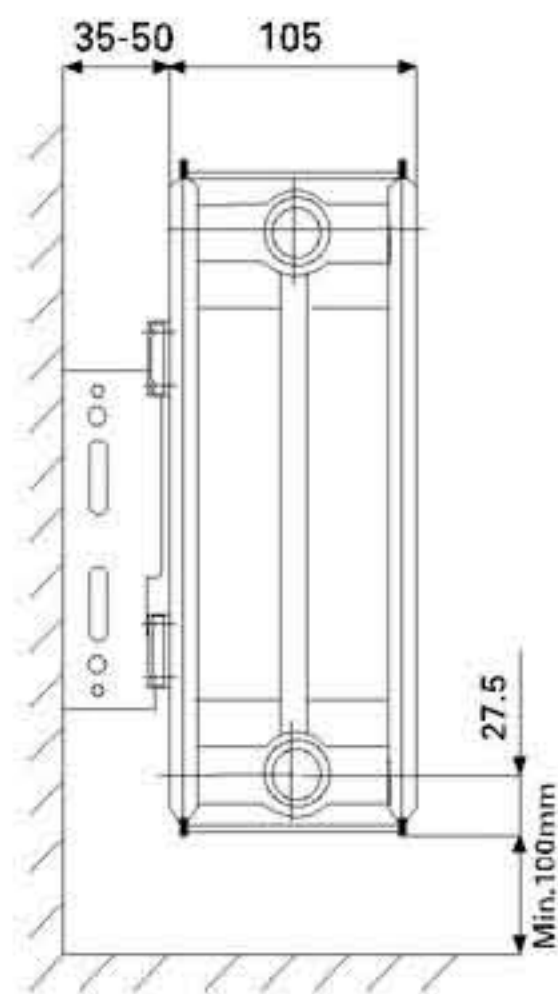
TYPE: 10-P



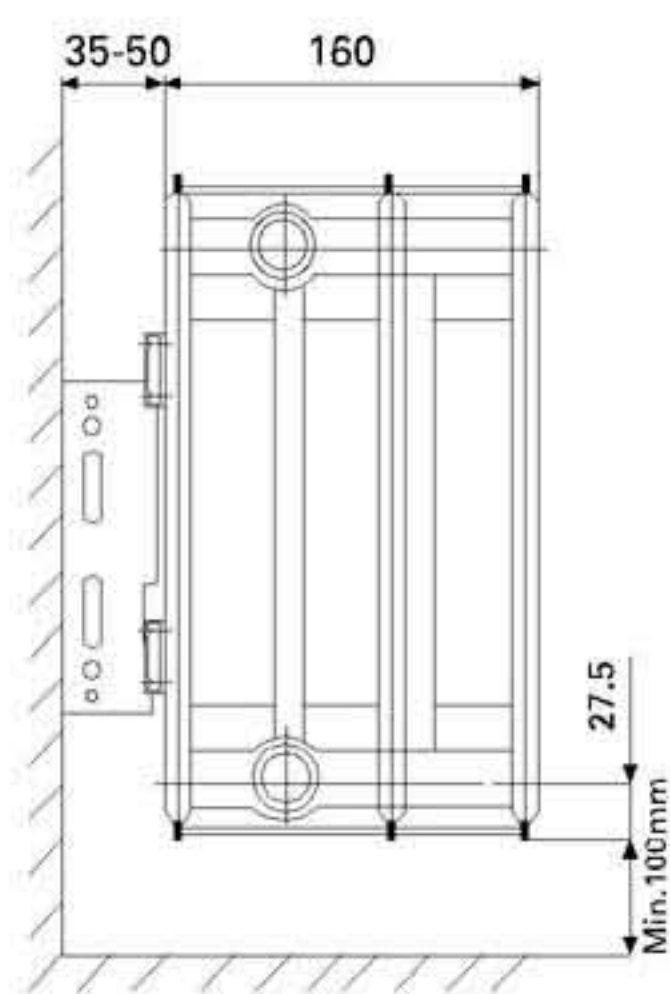
TYPE: 11-PK



TYPE: 21-PKP

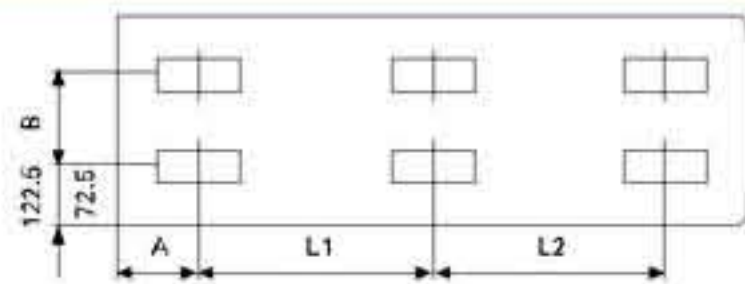
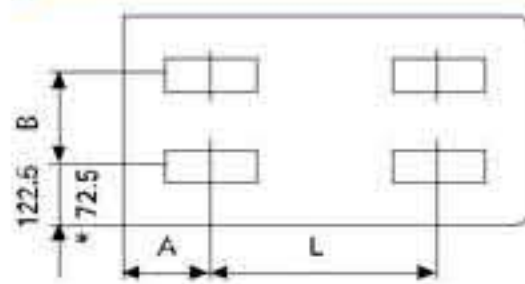


TYPE: 22-PKKP



TYPE: 33-DKEK

挂钩尺寸



1500 - 3000 mm lengths only

400 - 1400 mm lengths only

*72.5 mm measurements only for 300 mm high

TYPE	A
10 - 11 - 21 - 22 - 33	100

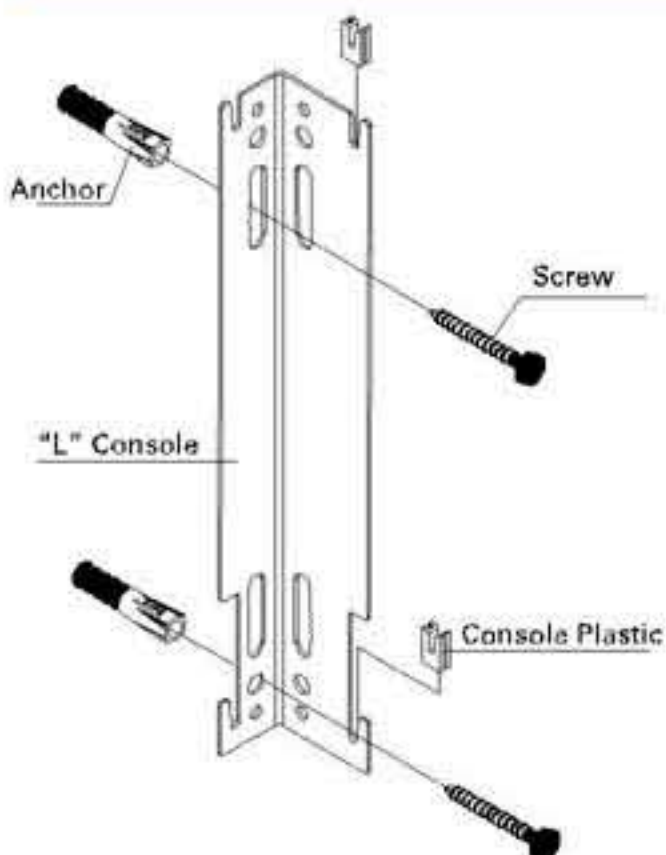
L=Radiator length-Ax2

Radiator Height	B
300	155
400	155
500	255
600	355
900	655

All units are mm.

Radiator Length	TYPE	
	10 - 11 - 21 - 22 - 33	L1
1500	666.5	633.5
1600	700	700
1700	766.5	733.5
1800	800	800
1900	866.5	833.5
2000	900	900
2100	966.5	933.5
2200	1000	1000
2300	1066.5	1033.5
2400	1100	1100
2500	1166.5	1133.5
2600	1200	1200
2700	1266.5	1233.5
2800	1300	1300
2900	1366.5	1333.5
3000	1400	1400

L型挂钩

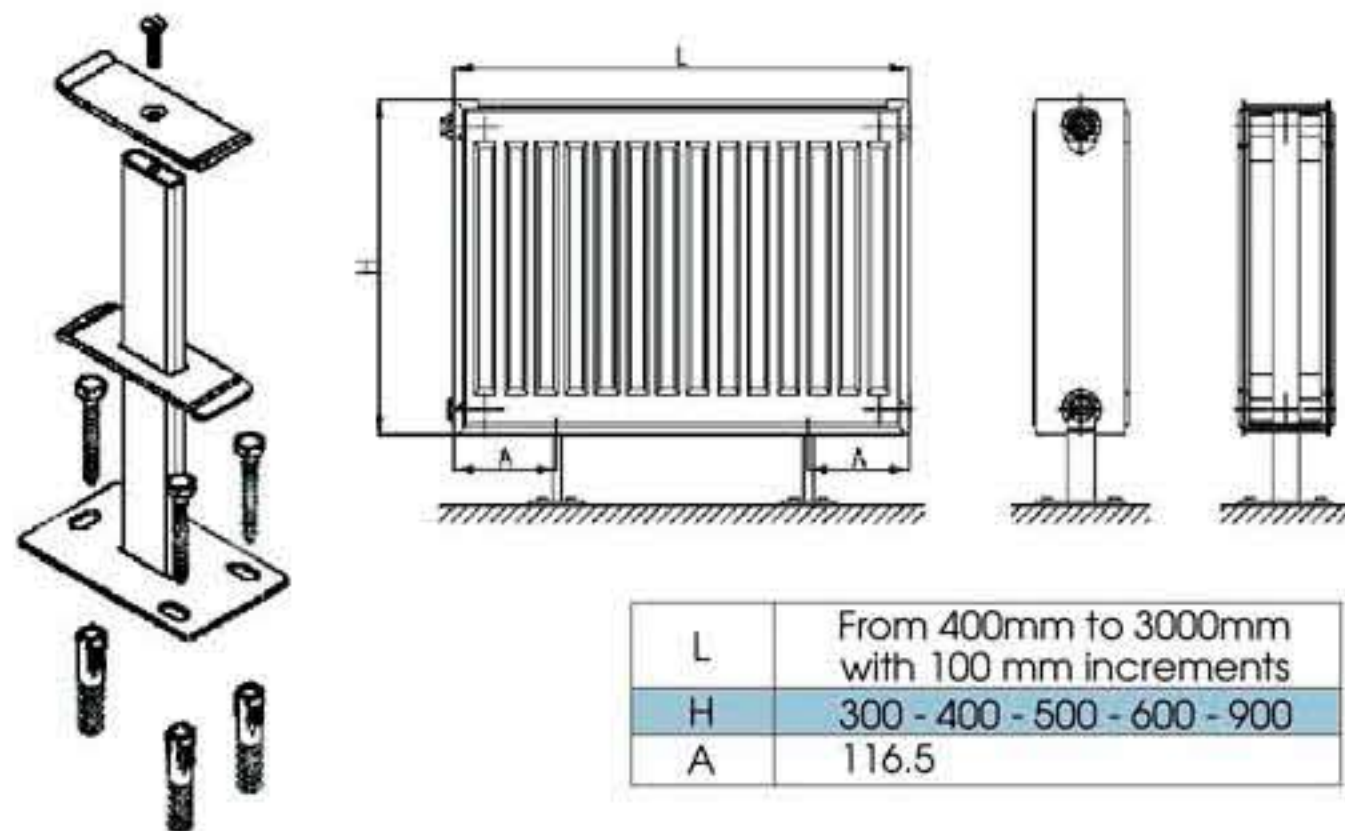


Radiator Height	L - Console Length (mm)
300	177
400	177
500	277
600	377
900	677

All units are mm.

RADIATOR TYPE	SIZES		Weigth (kg/mt)	Water content (Lt/m)
	Radiator Height (mm)	Axis distance (mm)		
10 - P	300	245	6.40	1.70
	400	345	8.37	2.03
	500	445	10.33	2.37
	600	545	12.30	2.70
	900	845	19.00	3.31
11 - PK	300	245	8.60	1.66
	400	345	11.51	2.06
	500	445	14.42	2.47
	600	545	17.33	2.87
	900	845	25.80	4.00
21 - PKP	300	245	14.90	3.40
	400	345	19.67	4.17
	500	445	24.43	4.93
	600	545	29.20	5.70
	900	845	43.70	7.70
22 - PKKP	300	245	17.40	3.20
	400	345	22.87	4.10
	500	445	28.33	5.00
	600	545	33.80	5.90
	900	845	51.20	7.60
33 - DKEK	300	245	25.70	5.00
	400	345	34.07	6.10
	500	445	42.43	7.20
	600	545	50.80	8.30
	900	845	76.50	11.25

地支架



L	From 400mm to 3000mm with 100 mm increments
H	300 - 400 - 500 - 600 - 900
A	116.5